

THE NEW 601 VERSA-FUGE SYSTEM

CLEAN

601-E FLUID EXTRACTOR
Clean and dry chips and reclaim costly coolants

601-D DRYER
Clean and dry chips or parts with or without heat and reclaim costly coolants

601-SE SLUDGE EXTRACTOR
Clean, dry swarf and reclaim costly coolants

601-WD WASHER / DRYER
Wash, dry, extract, and coat bulk or fixtured parts and reclaim costly coolants

EXTRACT

COAT

DRY

**KINESPIN BUILDING BLOCK DESIGN
FOR YOUR UNIQUE CENTRIFUGAL APPLICATIONS**

 **KINESPIN**
Division of Kinefac Corporation

ISO 9001:2015 REGISTERED
156 Goddard Memorial Drive, Worcester, MA 01603-1260 U.S.A.
(508) 754-6891 kinespin@kinefac.com www.kinespin.com

B-CR-BR-601-0008

**Variable Speed Drive
With Forward &
Reverse Spin**

**Process Cycles
Developed &
Stored In HMI**



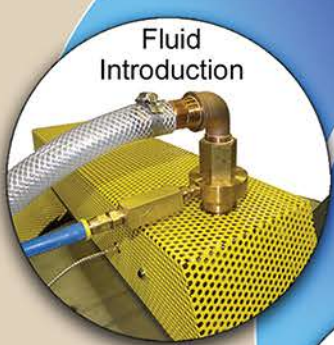
**Handles Batches
Up To 130 lbs**

**Cleaning Force
Up To 343 G's**



SELECT

Building Blocks For Your Application



**Explosion Proof
Available**

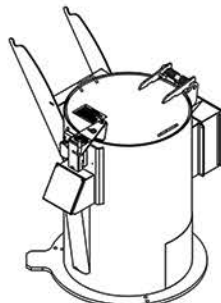
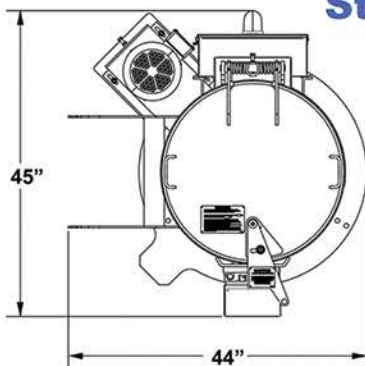
**Small Foot Print
Allows For Cell
Operation**



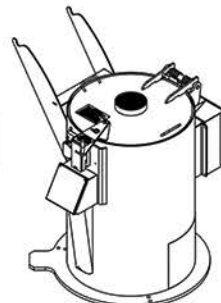
**Heating 175 Deg.
Thermocouple]
Monitored**

**Available With UL
Approved Electronics**

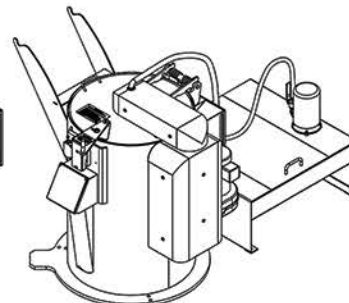
Start With One Of Our Standard Packages



601-E or 601-SE



601-D



601-WD

